

Internally Reinforced Load Distribution Member



Eliminate Headers above Window and Door Openings

- Increases the Energy Envelope's efficiency by replacing the CFS Header with Insulation, which has four times the resistance to heat flow. (LEED awards credits for framing efficiencies such as this)
- Resolves Framing Challenges caused by Specified Headers such as:
 - Different Depths Specified for Various Openings
 - Special Order, Multi- Ply, Heavier Gauges Typically Needed to Carry Loads

Eliminates the Requirement for In-Line Framing

- Typical Steel Framing Requires the Studs, Joists, and Trusses to be - In-Line for the Height of the Building. This requirement adds additional materials and time to a project.

Speeds Framing of Walls

- All Cripples are the same length
- Eliminates the need for Multiple Jack Studs
- Eliminates the Material and the need to build and install the Specified Headers
- Eliminates two pieces of track the width of each opening

Speeds Framing of the Floors

- Use a Clip or Hanger for Attachment versus Track and Stiffeners
- Easier Fastening
- Less Splices since Rim Beam can be Fabricated up to 40' in length.
- Eliminates the Need for Rim Track
- Joists are not required to sit over studs



Environmental Data

Metwood used recycled steel products from Nucor, America's largest recycler, and is 100% recyclable.



RIMBEAM™

Internally Reinforced

Load Distribution Member

by METWOOD

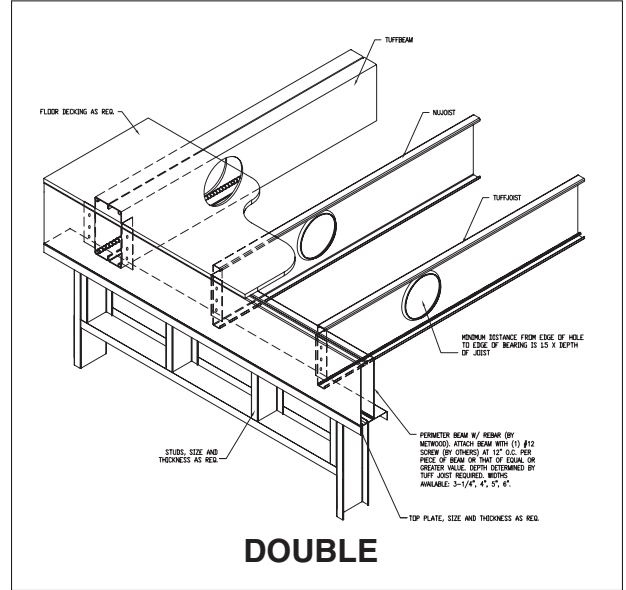
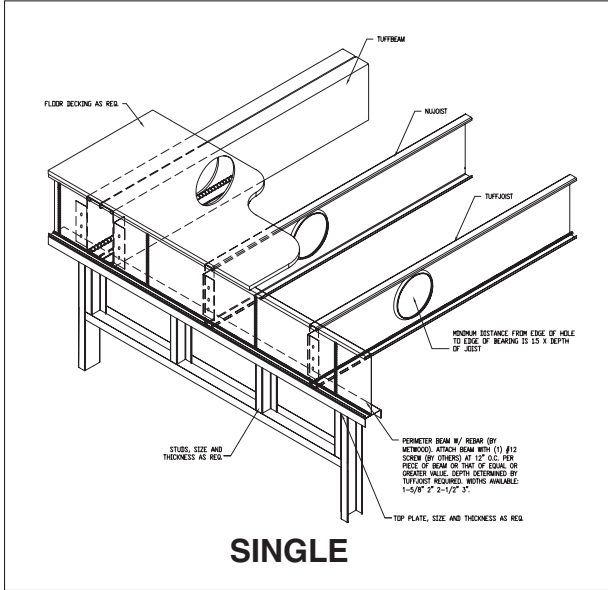
819 Naff Road. Boones Mill, VA. 24065
Ph: 540-334-4294
Tf: 866METWOOD
Fx: 540-334-4293

www.metwood.com

RIMBEAM™

by METWOOD

RIMBEAM™



 **Environmental Data**
Metwood used recycled steel products from Nucor, America's largest recycler, and is 100% recyclable.



819 Naff Road. Boones Mill, VA. 24065
Ph: 540-334-4294 Tf: 866METWOOD Fx: 540-334-4293
www.metwood.com