

## Installation Instructions for 2810HR Joist Reinforcer

CODE  
COMPLIANCE



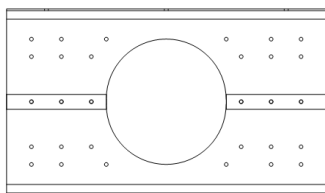
**Intertek**  
CCRR-0279

Use the 2810HR Joist Reinforcer to allow placement of up to 6" holes in 2x10 wood joists and 4" holes in 2x8's. The 2810HR Joist Reinforcer has 2 identical pieces which are simultaneously attached to a joist to accommodate a hole in the joist which may have pipes, conduit, wires, etc., already in place.

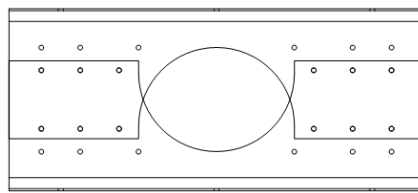
**\*\*CCRR-0279 covers use on 2x10 solid sawn described in Section 6.3. All other species and sizes will require an engineered letter.**

### Installation Instructions

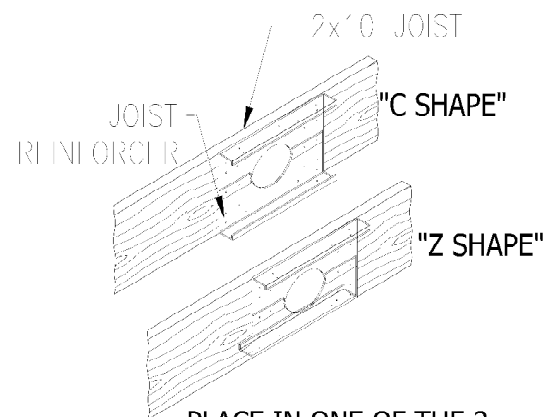
1. Locate position of desired hole in joist, place the 2810HR halves in the orientation shown in the sketch below on the joist, and, using the hole in the 2810HR as a template, mark the opening onto the joist. Keep the bottom half flush with the bottom of the joist and the upper half positioned with the alignment holes (see sketch) aligned. There are 4 alignment holes used on a 2x10 and 8 on a 2x8. Take away the 2810HR halves and cut the hole in the joist as marked.
2. Place the lower piece onto the bottom of the joist and attach it to the joist below the alignment holes with screws supplied with the 2810HR, leaving the alignment holes open. Drive the screws tight against the metal.
3. Place the upper half onto the joist, lapping over the lower half with the alignment holes aligned. Drive screws through alignment holes, through both halves, into the joist, 6 screws in the 2x10, 12 screws in the 2x8. Then drive screws through the remaining holes, into the joist. Total number of screws in a 2x10 is 30 and 24 in a 2x8. The finished installation **must have a screw in every hole.**



2x10 VIEW



2x8 VIEW



PLACE IN ONE OF THE 2  
CONFIGURATIONS  
(EITHER ONE WILL WORK)

### Installation Limitations

- **Hole Size:** Hole sizes may not exceed 6" diameter in 2x10's and 4" in 2x8's
- **Number of 2810HR's:** One 2810HR may be applied per joist.
- **Non-Compliant Installations:** It is often possible to use a 2810HR in conditions not complying with these Limitations. Contact Metwood for additional product and engineering support.