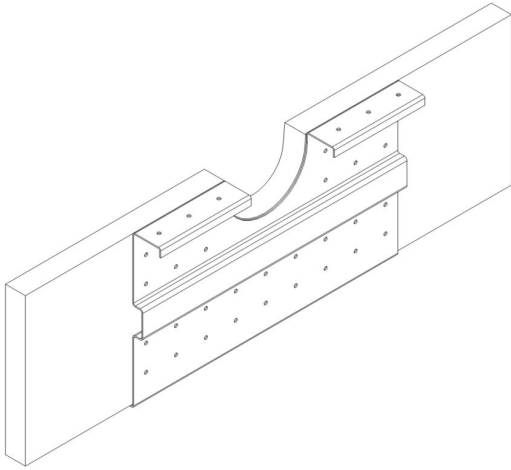


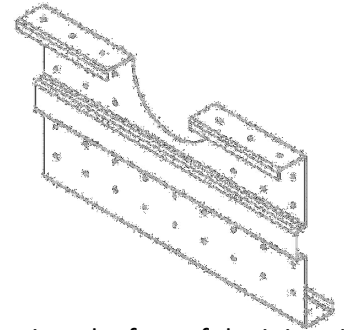


Metwood Building Solutions
 819 Naff Rd.
 Boones Mill, VA 24065
www.metwood.com
 Ph: 540-334-4294

Installation Instructions for 210NR Joist Reinforcer



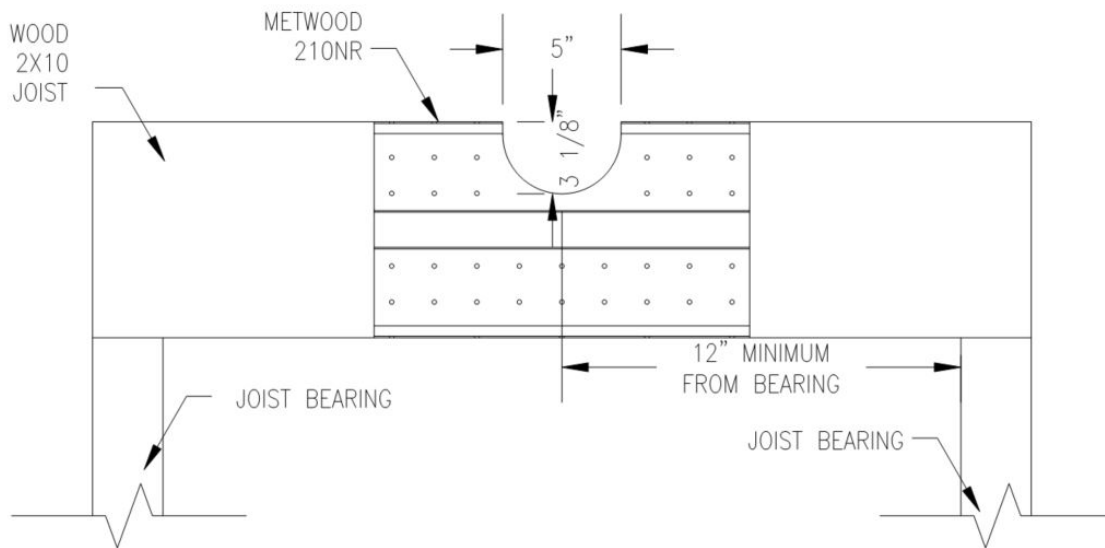
Use the 210NR Joist Reinforcer to reinforce 2x10 joists, overlain by plywood or OSB sheathing, with notches in their tops.



Installation

Center the notch of the 210NR Reinforcer on the notch in the top of the affected joist, placing it against the face of the joist with the top flange of the Reinforcer in contact with the underside of overlying plywood or OSB sheathing.

Place a No. 10 wood screw in each of the face holes in the Reinforcer driving each snugly into the joist. Proper size screws are provided with the Reinforcer. Screws in the top and bottom flange holes of the 210NR are optional.



Installation Limitations

- **Joists:** Joists must be 2x10 Solid Sawn Lumber with spans in accordance with Tables R502.3.1 (1) and R502.3.1 (2) of IRC 2012 and IRC 2015
- **Location:** The center of the 210NR must be at least 12" from any bearing support of the joist.
- **Adjacent Holes:** Holes of 1.5" maximum diameter may be installed in the joist adjacent to the 210NR as long as they are spaced at least 20" from the edge of the 210NR.
- **Notch Size:** Notch sizes may not exceed 5"W x 3"D in 2x10's.
- **Number of 210NR's:** One 210NR may be applied per joist.
- **Non-Compliant Installations:** It is often possible to use a 210NR in conditions not complying with these Limitations. Contact Metwood for additional product and engineering support.