

METWOOD = INNOVATION

Doing more, better, faster, and safer, while giving customers a better value is what Metwood Innovation is all about. Metwood products are extremely adaptable to all types of building systems, and fit right in with wood, log, ICF, SIP, metal, or just about anything else. Start with a complete Metwood system or try several components to get comfortable with the working aspects of Cold Formed Steel, and try others when the time is right. Call or visit www.metwood.com for more information.



The Metwood **TUFF BEAM™** is a compact structural beam of incredible strength, capable of spanning greater distances with fewer vertical supports while allowing the passage of utilities right through the structural member. Hole sizes vary from 6", 8" and 10" depending on beam depth. Other sizes available on request. Beams can be manufactured without holes for certain applications.



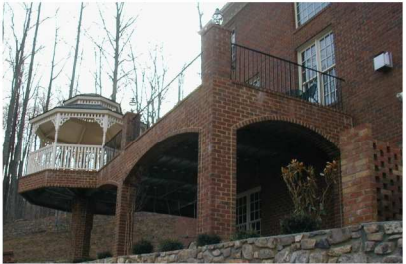
Metwood **TUFF JOIST+™** combines the strength and consistency of standard C-Stud joists, the flexibility of pre-punched reinforced access holes, and Metwood's patented internal reinforcing technology. Hole sizes vary from 6", 8" and 10" depending on beam depth. Other sizes available on request. The joists can be manufactured without holes for certain applications.



TUFF BEAM™, **TUFF JOIST™**, and **TUFFJOIST+™** make up the **TUFF FLOOR™** system, offering the design flexibility to achieve conventional or radical floor designs. Pre-punched reinforced access holes allow plumbing, HVAC, electrical, and other technology services to be installed within the floor system to improve ease of installation while maintaining structural integrity.



Nothing compares to the solid feel and security of steel. **TUFF DECK™** accommodates any handrail, or ceiling finish, and is radiant ready. Metwood's ultimate deck system is pre-engineered and available with either **TUFF JOIST™**, **TUFF JOIST+™**, or **TUFF BEAM™**, providing a strong, light-weight support system that installs quickly. **TUFF JOIST™** and **TUFF BEAM™** can be trimmed on site and installed with screws, so no welding is required.



Eliminates Headers above Window and Door Openings. The **RIM BEAM™** increases the Energy Envelope's efficiency by replacing the CFS Header with Insulation, which has four times the resistance to heat flow. (LEED awards). Resolves framing challenges caused by specified headers such as different depths specified for various openings, and special order, multi-ply, heavier gauges typically needed to carry loads.



819 Naff Road. Boones Mill, VA. 24065
Ph: 540-334-4294

www.metwood.com



STEEL | North America's
#1 Recycled Material

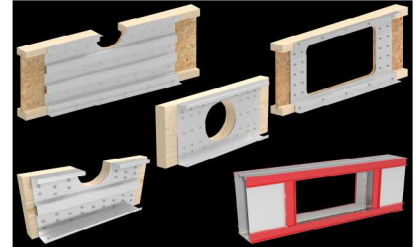
SQUAREcolumns™
by Metwood

Metwood **SQUARE COLUMNS™** are a perfect match for **TUFF BEAM™**, but they'll support just about anything. Used in both **TUFF DECK™** and **TUFF FLOOR™** Systems™, Metwood **SQUARE COLUMNS™** feature a higher strength to weight ratio than round columns, and offering more convenience in attaching finish materials at a price comparable to round columns. Cut to length on the job and assemble using self drilling screws.

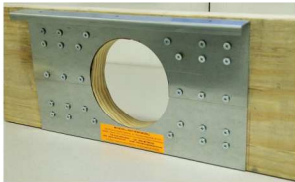


REINFORCER™
technologies
by Metwood

Metwood **Joist Reinforcers™** restore the strength of Floor Joists weakened by the placement of large holes or cut-outs. **Joist Reinforcers™** are engineered light gauge steel attachments for engineered I-Joists or conventional framing. By allowing larger openings in Floor joists, the **Joist Reinforcer™** simplifies the routing and installation of utilities.

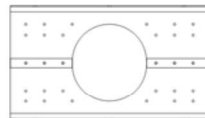


2810HR

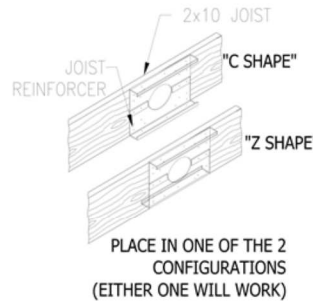


Use the 2810HR Joist Reinforcer to allow placement of up to 6" holes in 2x10 wood joists and 4" holes in 2x8's. The 2810HR Joist Reinforcer has 2 identical pieces which are simultaneously attached to a joist to accommodate a hole in the joist which may have pipes, conduit, wires, etc., already in place.

****CCRR-0279 covers use on 2x10 solid sawn described in Section 6.3. All other species and sizes will require an engineered letter.**



2x10 VIEW

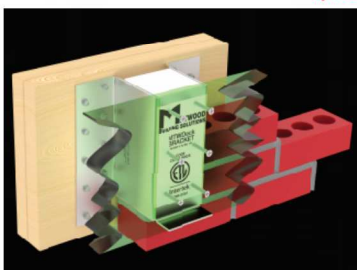


CODE COMPLIANCE



Intertek
CCRR-0279

MTWDeck Bracket
By Metwood



The Metwood **MTWDeck Bracket** can be utilized on structures with stone or masonry veneer as an alternate deck ledger connection. Section R507.2.2 of the 2012 IRC states, "Deck ledger connections not conforming to Table R507.2 shall be designed in accordance with accepted engineering practice."

MTWDeck Bracket Maximum Spacing

Band of Structure Species	DECK JOIST SPAN LESS THAN OR EQUAL TO: (feet)						
	6	8	10	12	14	16	18
Douglas Fir-Larch and Southern Pine	8-0	8-0	6-0	5-0	5-0	4-0	3-0
Spruce Pine Fir and Hem Fir	8-0	6-0	5-0	4-0	3-0	3-0	3-0

CODE COMPLIANCE



Intertek
CCRR-0261

819 Naff Road. Boones Mill, VA. 24065
Ph: 540-334-4294

www.metwood.com



STEEL | North America's
#1 Recycled Material